

## GEAR BOX DETAILS

- |                 |                      |                          |
|-----------------|----------------------|--------------------------|
| 1 LB SHAFT      | 7 2ND GEAR           | 13 DRUM SHAFT BEARING    |
| 2 1ST GEAR      | 8 3RD PINION BEARING | 14 4TH GEAR              |
| 3 1ST PINION    | 9 3RD PINION         | 15 DRUM SHAFT            |
| 4 LOAD BRAKE    | 10 3RD SHAFT         | 16 1ST PINION MTR SPACER |
| 5 2ND PINION    | 11 4TH PINION        | 17 GEAR CASE             |
| 6 COVER BEARING | 12 3RD GEAR          | 18 CASE COVER            |

### LUBRICATION

OIL: 80W-90 SYNTHETIC GEAR OIL  
 QTY: 23 QUARTS

**DETROIT HOIST**  
**FUTURA-GB**

NOTE: X

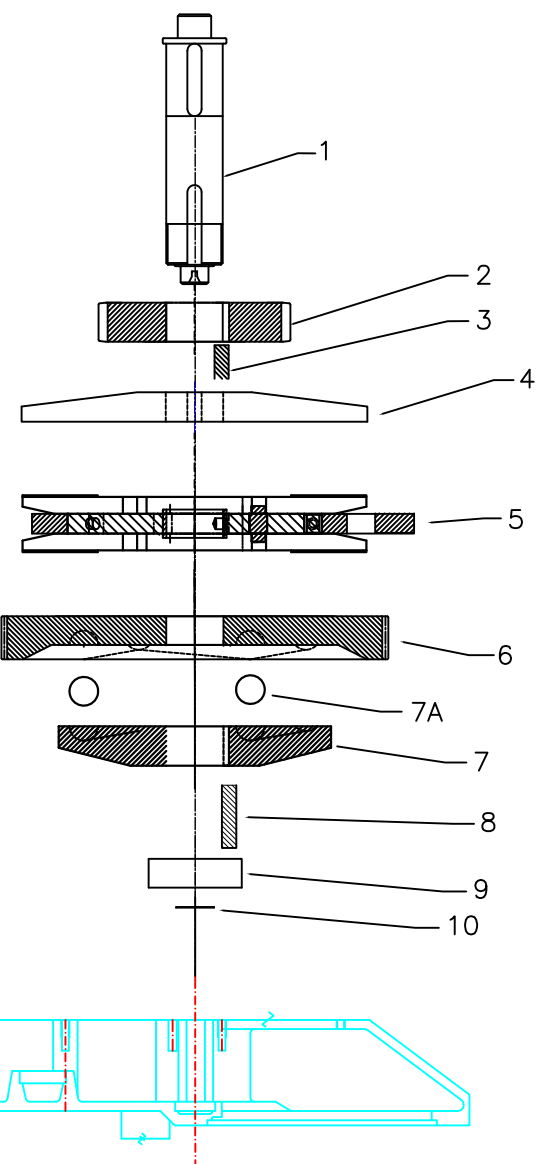
NOTE: X

NOTE: X

1:1

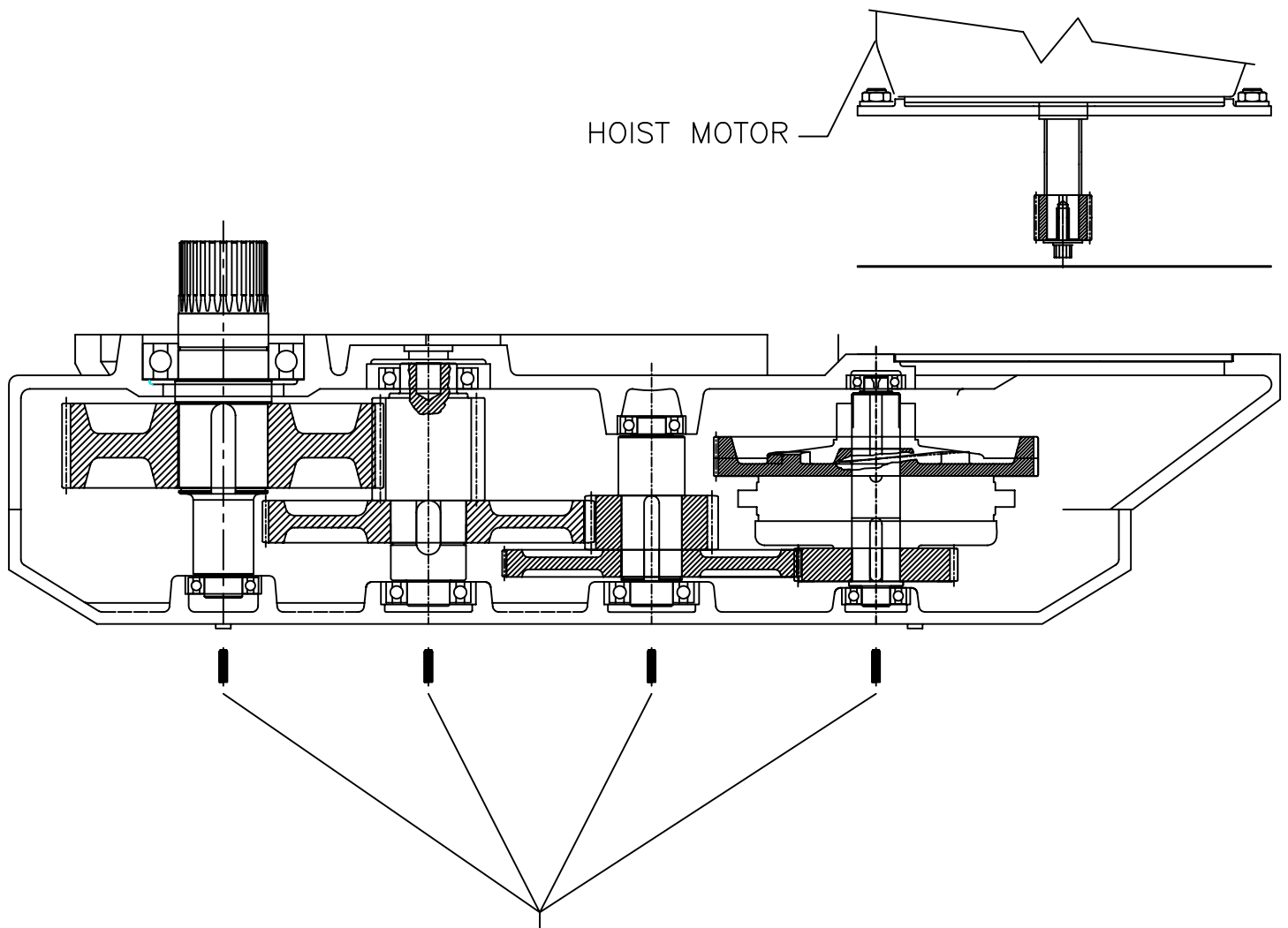
# FUTURA LOAD BRAKE / 1st GEAR SUB-ASSY. DETAILS

## NEW STYLE 1ST GEAR AND CAM



NO.	DISCRPTION	
1	140-3016, LOAD BRAKE SHAFT	(not included with load brake)
2	140-VARIES,2ND PINION	(not included with load brake)
3	140-1525, KEY	(not included with load brake)
4	140-4340M, BACK DISC	(not included with load brake)
5	140-4332, LOAD BRAKE ASSY.	
6	140-4285M, 1ST GEAR	(not included with load brake)
7	140-4335, LOAD BRAKE CAM	(not included with load brake)
7A	140-4295, 1" CROME BALLS	(not included with load brake)
8	140-0222, KEY	(not included with load brake)
9	140-0220, LOCKING COLLAR	(not included with load brake)
10	140-0230, Shim	(not included with load brake)

# FUTURA GEARCASE COVER REMOVAL



\*\* TO HELP IN THE REMOVAL OF THE GEARCASE COVER WE SUGGEST USING 1/2-13 X 2" LONG SET SCREWS

#1, REMOVE THE 4, 1/2 -13 X 1/2" LG. SET SCREWS LOCATED IN THE MIDDLE OF THE GEARCASE COVER

#2, DRAIN OIL AND UNBOLT THE COVER FROM THE GEARCASE

#3, INSTALL THE LONGER SET SCREWS IN THE COVER TURNING EACH SET SCREW IN EQUAL AMOUNTS PUSHING THE COVER AWAY FROM THE GEARCASE

#4, WHEN RE-INSTALLING THE GEARCASE COVER REPLACE THE LONGER SET SCREWS WITH THE 4, 1/2-13 X 1/2" SET SCREWS THAT WERE REMOVED

#5, APPLY A GASKET SEALANT (PERMATEX) TO THE THREADS AND INSTALL EACH SET SCREWS UNTIL FLUSH WITH THE COVER

#6, INSTALL COVER AND FILL WITH OIL