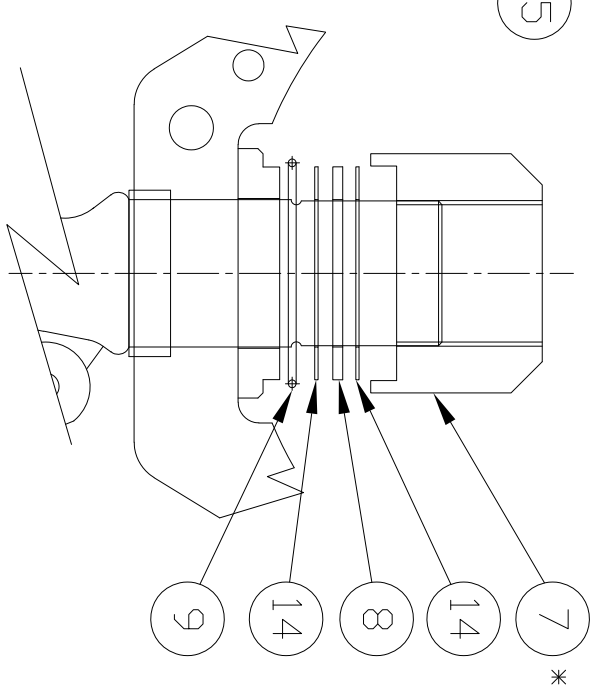


ITEM	QTY	DESCRIPTION
1	02	142-4322 LOAD BLOCK FRAME HALF ZINC PLATED
2	02	132-0190/191-1411 10MM SHEAVE & BRG / 800-0001 IONTRIDING
3	02	305-2045 LOAD BLOCK FLANGE / 800-0015 ZINC PLATING
4	01	132-2005 LOAD BLOCK SHAFT LB-15
5	02	132-2040 SPACER 2.6" X 1.98" X 16GA
6	06	132-2035 SPACER 2.6" X 1.98" X 10GA
7	*	HOOK NUT WITH LOCK KEY (INCLUDED WITH ITEM 13)
8	02	142-4325 BEARING NEEDLE ROLLER AXK-4565
9	01	132-2002 O-RING BUNA-O #145
10	01	132-2000 LOAD BLOCK BEARING PLATE / 800-0015 ZINC PLATING
11	02	185-1170 1/2-13 X 4-1/2 LG SHCS (WITH ITEM 1)
12	01	132-2045 BUSHING BRONZE 2"OD X 1.75"ID X .5" LG
13	01	142-4335 HOOK ASSEMBLY (10 TON) E.L.D.
14	02	142-4330 WASHER THRUST AS-4565
15	02	130-0101 SNAP RING HEAVY DUTY 5160-193
16	01	132-1080 EQUALIZER ASSY 3PD & 4PD (NEW 2014) ZINC PLATED
17		
18		




DETROIT HOIST & CRANE CO.

L/BLOCK 8" P.D. 3-PD ASSY NEW 2014
 10 TON MAX CAPACITY PART #132-2030

DWG NO. 132-2030
 APPROVED BY / DATE
 J.P. / 07/28/15