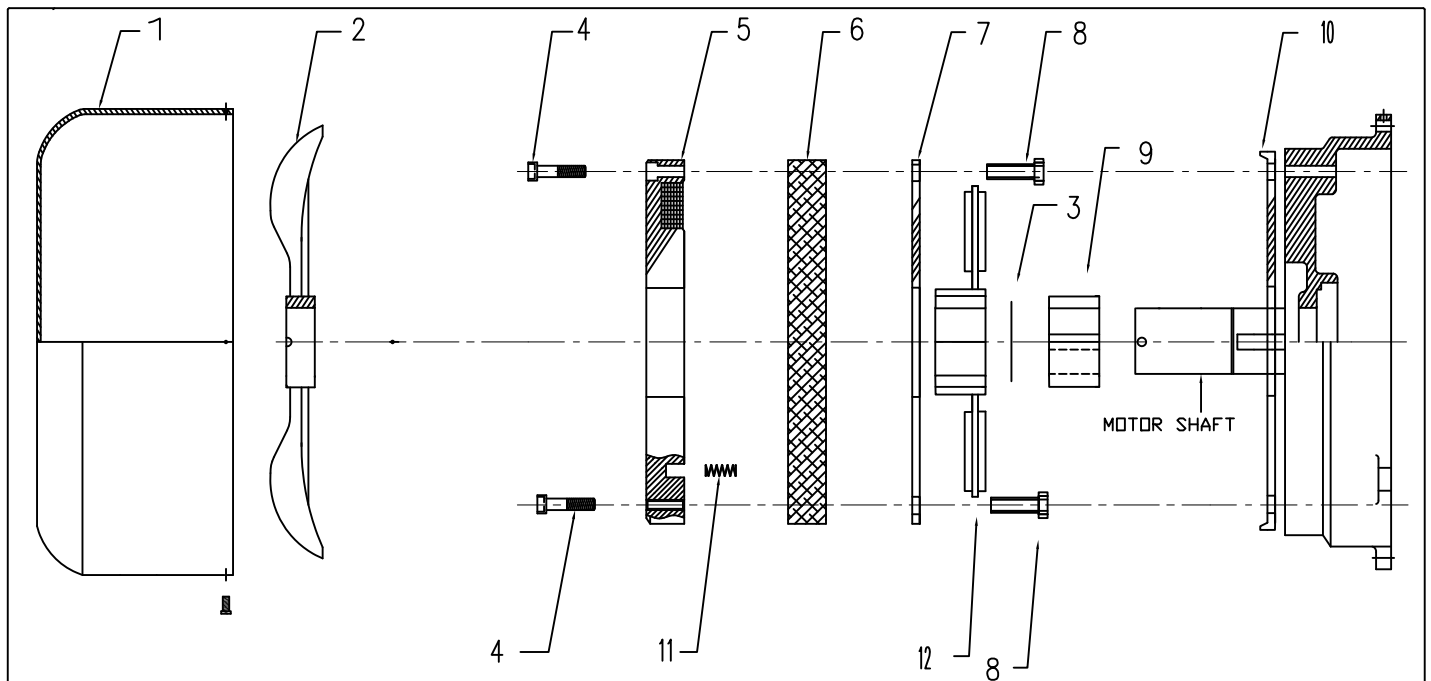


1.7.4. LENZE-BRAKE BFK458-18N (15hp & 20hp)



ADJUSTMENT PROCEDURE:

NOTE: AIR GAP SETTING 0.012" TO .015" (.3mm TO .4mm)
 MAXIMUM AIR GAP, .8mm

1. REMOVE THE FAN COVER.
2. REMOVE THE FAN BLADE.
3. REMOVE THE DUST BAND.
4. LOOSEN THE ASSEMBLY BOLTS
5. ADJUST THE AIR GAP BY FOLLOWING THE LISTED PROCEDURE:
 - A, MEASURE THE AIR GAP AT THREE POINTS NEAR THE ASSEMBLY BOLTS USING A FLAT FEELER GAUGE
 - B, IF THE MAXIMUM AIR GAP HAS BEEN REACH OR THE MEASUREMENT DO NOT MATCH, LOOSEN THE 6 ADJUSTING SCREWS
 - C. TIGHTEN THE 3 ASSEMBLY BOLTS EQUALLY TO THE RECOMMENDED AIR GAP. THE AIR GAP VALUE MUST BE UNIFORM IN THE SIX MEASURING POINTS.
 - D, TIGHTEN THE ADJUSTING SCREW UP TO THE POINT THEIR END SEATS ON THE BRAKE FRICTION PLATE OR MOTOR HOUSING. DO NOT TIGHTEN EXCESSIVELY. RETIGHTEN THE ASSEMBLY BOLTS FIRMLY
 - E, RECHECK FINAL AIR GAP SETTINGS
6. REINSTALL THE DUST BAND.
7. REINSTALL THE FAN BLADE.
8. REINSTALL THE FAN COVER.

RECTIFIER PART No., 177-1885 FOR 220 volt
 RECTIFIER PART No., 177-1880 FOR 460V
 COMPLETE BRAKE PART No., NOT AVAILABLE

EXPLODED VIEW PART NAME:

- | | |
|------------------------------------|--------|
| 1. 177-8770 FAN COVER | |
| 2. #177-8769 FAN BLADE | qty, 1 |
| 3. #177-3145 SNAP RING | qty, 1 |
| 4. #N/A ASSEMBLY BOLT | qty, 3 |
| 5. #177-8761 BRAKE COIL, | qty, 1 |
| 6. #177-8768 DUST BAND, | qty, 1 |
| 7. #N/A ARMATURE PLATE, | qty, 1 |
| available ONLY with brake coil | |
| 8. #N/A ADJUSTING SCREW, | qty, 6 |
| available ONLY with brake coil | |
| 9. #177-8765 BRAKE HUB, | qty, 1 |
| 10. #N/A FRICTION PLATE, | qty, 0 |
| 11. #N/A SPRING, qty, 9 | |
| available ONLY with brake coil | |
| 12. #177-8763 ROTOR, | qty, 1 |
| STARTING ROTOR THICKNESS, .5085" | |
| MIN ROTOR THICKNESS, .3937" (10mm) | |

