

DETROIT HOIST

CUSTOMER: X

SCALE 1:1 DWG #

MODEL	DR6M30-24M8OSP-460
CAPACITY	3 METRIC TON
LIFT / ROPE	30' -0" / 3/8" 6x36 IWRC
HOIST SPEED / KW	24/6 FPM / 4.2KW S2 30MIN
TRLY SPEED / KW	80/13 FPM VAR / 0.3KW
POWER SUPPLY	460V / 3 PHASE / 60HZ
MAX WHEEL LOAD	1900 # @ 3 METRIC TON
DUTY CYCLE	HEAVY CLASS D / H4
HOIST WEIGHT	~ 700 LBS

ELECTRICAL CONTROL FEATURES

VFD CLOSED LOOP VECTOR CONTROLS w/ENCODER INPUT FOR THE HOIST MOTOR
VFD SENSORLESS VECTOR CONTROLS FOR TROLLEY
SELECTOR SWITCH FOR 2 STEP OR INCREMENTAL VAR SPEED CONTROL / UNLIMITED SPEED POINTS
LOW IMPACT MULTI STAGE DECELERATION
90HZ SPEED (36 FPM) UP TO 50% OF FULL LOAD
100% DYNAMIC BRAKING FOR HOIST & TROLLEY WITH 100% BRAKE WEAR PROTECTION
LOW TEMPERATURE OIL-COOLED RESISTOR
MAINTENANCE FREE BRAKES / HOIST & TROLLEY
CONTINUOUS OVERWEIGHT MONITORING
E-STOP LIMIT THROUGH INDUCTIVE ROPE SENSOR
BYPASS SWITCH FOR 125% OVERLOAD TESTING
NEMA 4 ENCLOSURE

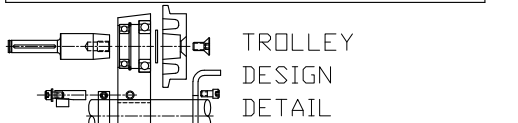
ENCODER BEARING / PLC FEATURES

OVER-SPEED PROTECTION AND POSITION CONTROL
BRAKE SLIP PROTECTION
BRAKE CONTACTOR AND RECTIFIER PROTECTION
SELF-PROGRAMMABLE UP/DOWN LIMIT SWITCHES
AUTOMATIC SLOW DOWN ZONES AT THE LIMITS
EXTERNAL FAULT LIGHT INDICATOR WITH PULSE CODE FOR EASY FAULT IDENTIFICATION

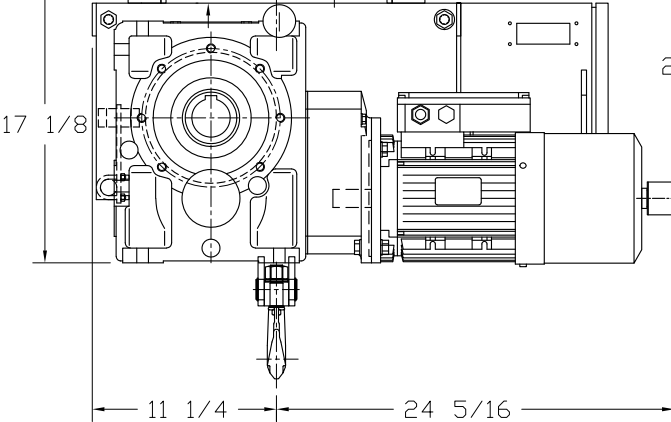
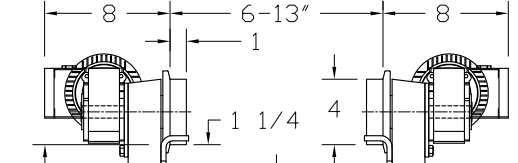
NOTE: X

MECHANICAL FEATURES

HELICAL BEVEL CAST IRON HOIST GEARBOX
HARDENED AND GROUND GEARING > AGMA 12
DUAL TROLLEY MOTORS / COMPLETELY SEALED / NO LUBRICATON REQUIRED
GRAPHITE DUCTILE IRON WHEELS / 63 HRC
IDNITRIDE HARDENED FOR LOW FRICTION
TRUE VERTICAL LIFT REEVING
FLEET ANGLE BELOW 1° / BEST EFFICIENCY REEVING OF ALL WIRE ROPE HOISTS
21.3 : 1 ROPE TO DRUM RATIO
ROPE GUIDE OPTION / FREE OF CHARGE
DUAL WIRE ROPE WITH STANDARD BUTTON SWAGE FITTINGS / SIMPLE 6x36 IWRC / RIGHT LAY & LEFT LAY / NO REVERSE BENDING / MINIMUM EFFICIENCY LOSSES / VERY LONG SERVICE LIFE

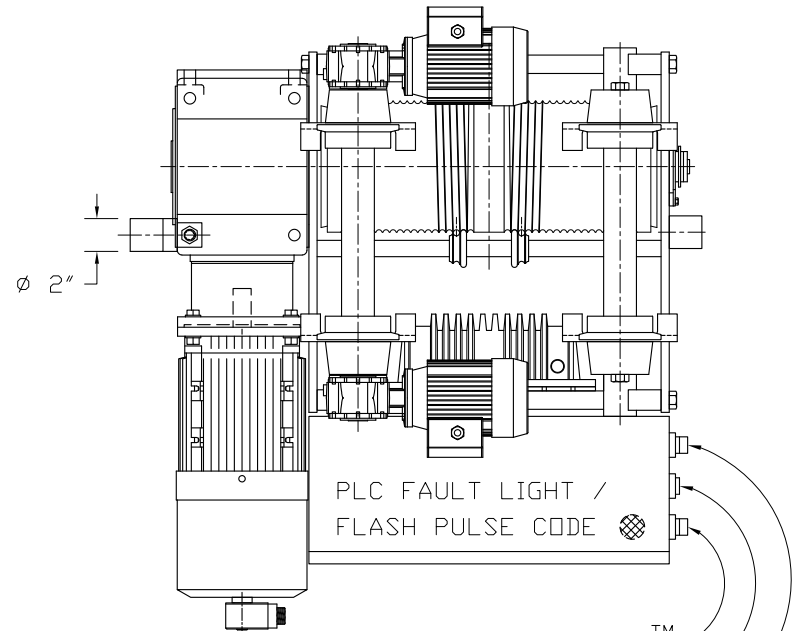


ADJUSTABLE TROLLEY GAUGE FROM 6" TO 13" BEAM WIDTH
1 1/8" MAX. FLANGE THICKNESS

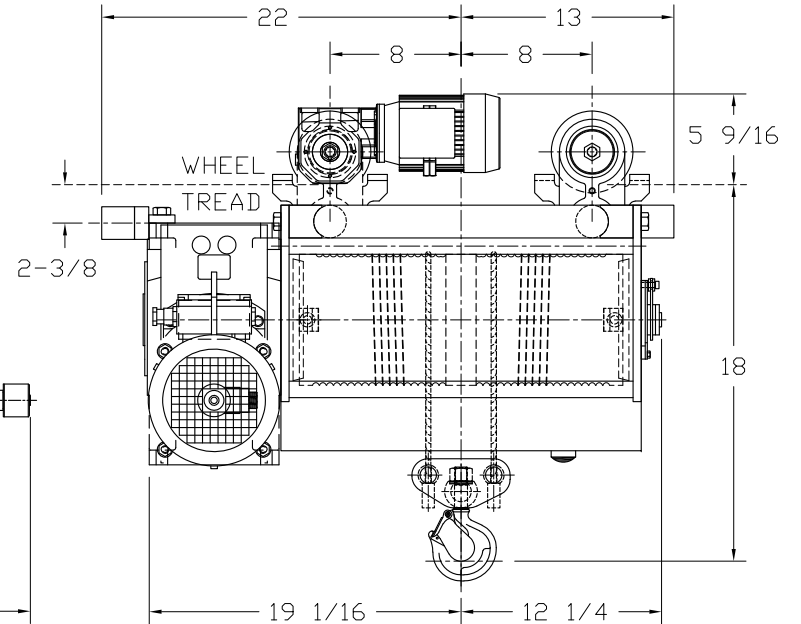


NOTE: X

NOTE: X



TOGGLE / 2 SPEED / INCREMENTAL RESET / UP LIMIT "0" POSITION TOGGLE / LOW LIMIT / PLC COUNT



1:1